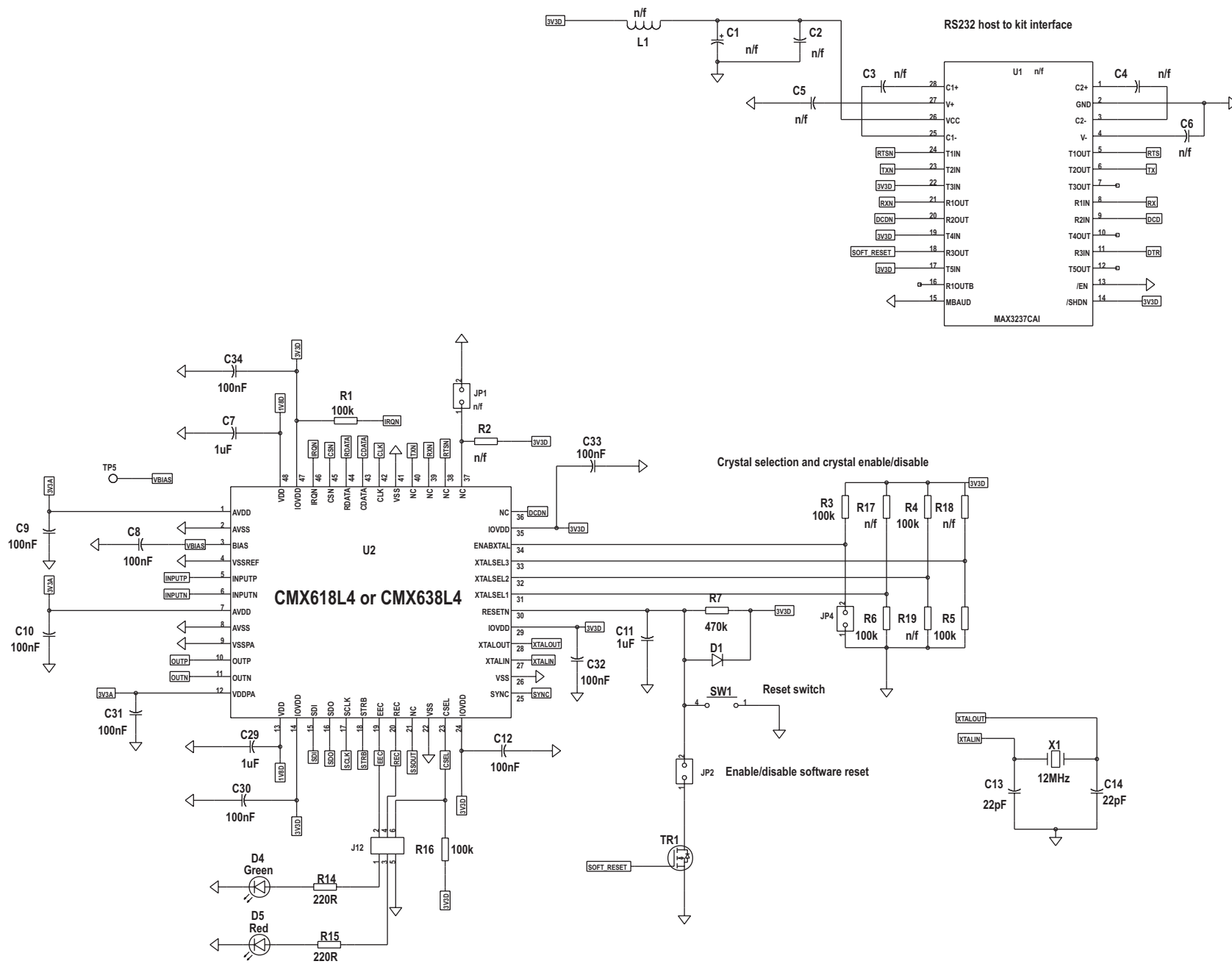


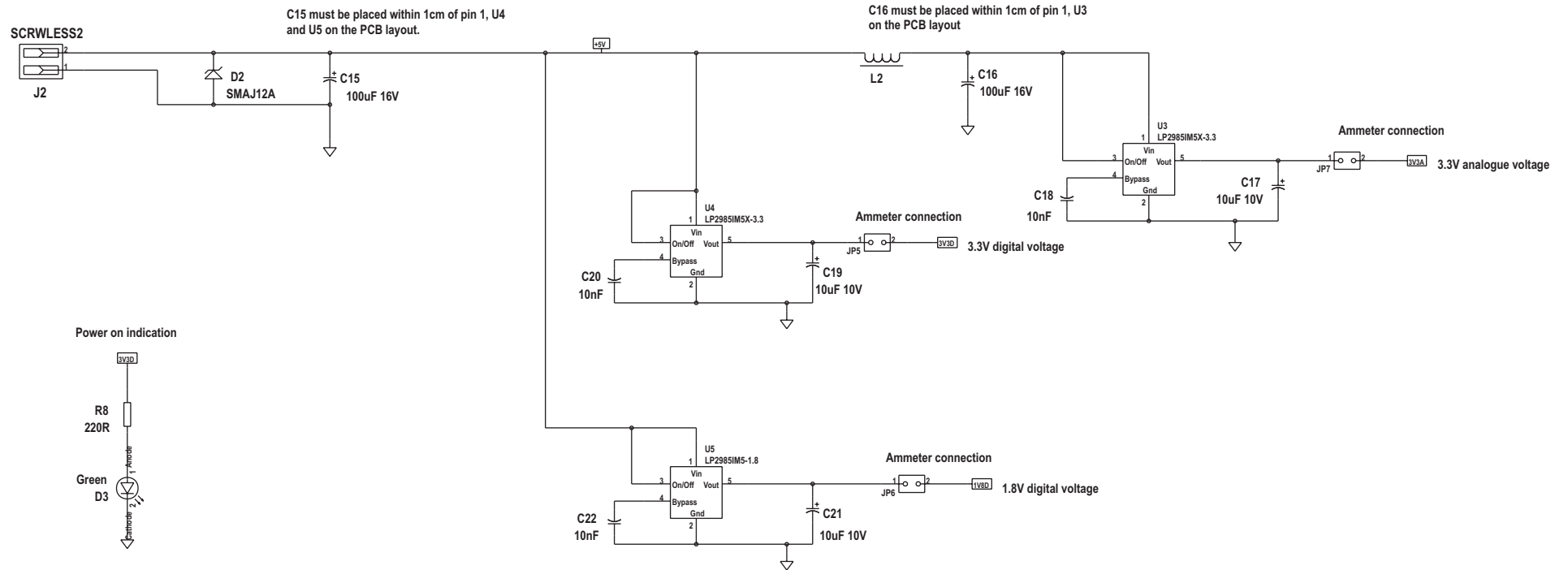


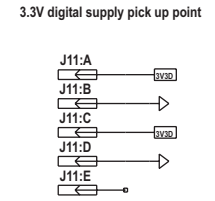
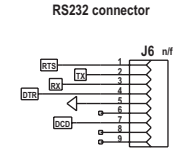
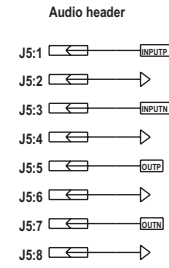
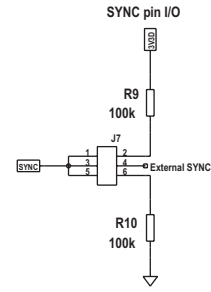
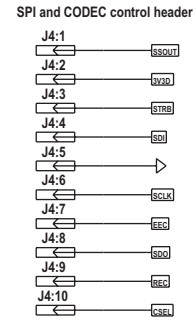
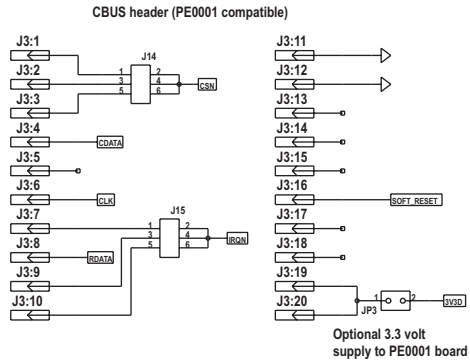
CML Microcircuits

COMMUNICATION SEMICONDUCTORS

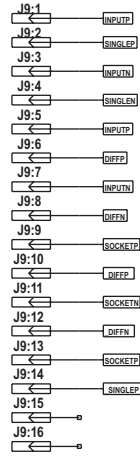
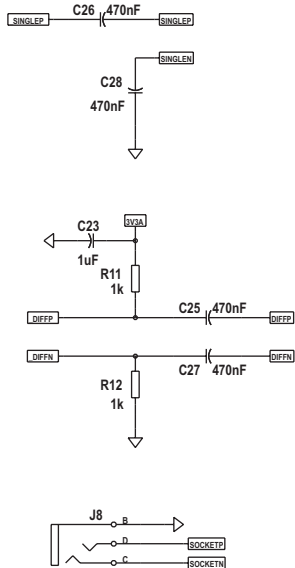
**High Resolution
Circuit Diagrams
for
EV6180/6380**



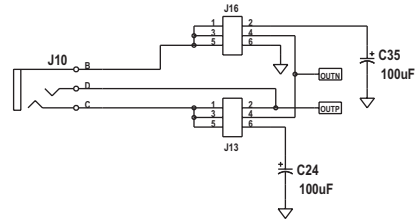




CODEC input configuration



CODEC output configuration



Analogue and digital ground pick up points

